

Drop side

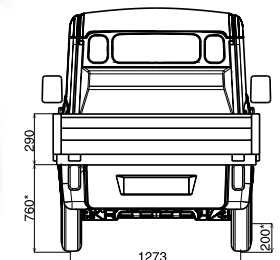
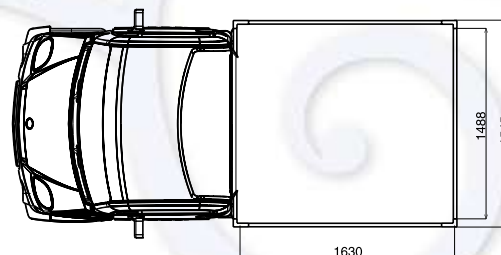
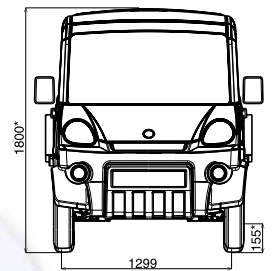
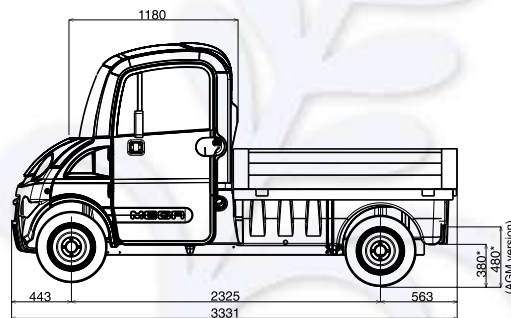
MEGGA

ecOLOGIC



Dimensions (mm)

Wheel base	2 325
Overall length	3 331
Overall width (excluding rear view mirrors)	1 545
Overall height*	1 800
Bed interior length	1 630
Bed interior width	1 488
Min interior width of trunk	900
Height of side panels	290
Height from the ground to bed*	380
Height bed load (diesel)*	380
Height bed load (AGM batteries - maintenance free)*	480
Height bed load (flooded batteries)*	550
Height from ground to trunk floor*	760
Front ground clearance*	155
Rear ground clearance*	200
Front track	1 299
Rear track	1 273
Rear overhang	563



4 colours choice:



* Unladen vehicle ± 20mm

www.mega-vehicles.com

Weight (kg)

	Multitruck Diesel 400	Multitruck Diesel 600	Multitruck AC Power flooded batteries	Multitruck AC Power AGM batteries (maintenance free)	Multitruck Electric - no licence version**	Worker
Payload*	up to 655 kg					
Drop side finishing equipment weight	85		80			25
Max. tolerated load on Front axle	390	475	520	520	520	530
Max. tolerated load on Rear axle	450	690	690	690	690	900
Loaded trailer (without brakes) max. weight	NA			750		
Loaded trailer (with brakes) max. weight	NA			1 017		
Maximum weight on hook	NA			30		
Total authorised weight on road including trailer weight	NA			1 800		

* Includes load, driver, passenger, finishing equipment, options and accessories weights - Refer to basic version technical data sheet.

** In France

Standard equipment

- Basic version equipment
- Large storage compartment under flatbed
- Tailgate with locking system

Optional equipment

- Presence bell (all electric versions)
- Run time meter (standard in Worker)
- Trim hooks
- Radio CD/MP3/RDS
- Cage
- Cage netting
- Cab wired protection
- Side impact bars
- Rear impact bar
- Flashing beacon
- Roadsign bar (with 2 beacon lights)
- Reflecting tapes
- Diesel additional heating system (all electric versions)
- White large canvas-cover
- Reversing buzzer (combustion engine versions)*

*standard on electric versions

Worker options

- Doors
- Fan and electric heating system
- Additional Converter 48V/12V 300W
- Tow bar



White large canvas-cover



Reflecting tapes



Spacious cabine



Rear impact bar



Side impact bars



Roadsign bar (with 2 beacon lights)

